

A Quick Look At ARIN VII

Here's a quick rundown of salient points discussed at ARIN's Public Policy and Members Meeting held April 1-4. The complete minutes are located at http://www.arin.net/minutes/ARIN_VII/index.html.

ARIN Services

- Processing time for SWIP has been reduced to under 36 hours and for transfer requests to less than 3 days.
- Registration Services is now open from 7:00 to 7:00 ET.
- New draft templates are available for review at <ftp://ftp.arin.net/pub/proposed>.
- By the end of 2001, ARIN customers will be able to pay for all services by credit card.
- A draft document for helping ISPs explain ARIN's process to their customers has been developed.
- ARIN has reached its goal of accumulating a cash reserve equal to 1 year's operating expenses. This makes funds available for increasing and improving ARIN services. Members expressed the following: "fix" RWHOIS, increase outreach activities, provide additional statistical data, improve staff benefits to enhance their competitiveness, and examine the fee structure.

ARIN Database

- Resources will be allocated to "fix" RWHOIS.
- ISO 3166 will be used for country code abbreviations.
- Early registrations for organizations outside the ARIN region will be transferred to the appropriate RIR. This is a part of the in-addr.arpa clean-up project.

Board of Trustees

- The Board will add an additional trustee to its membership to create an odd number of members to aid in voting.
- ARIN has become a platinum member of the ISOC to support the RFC editor function.
- ARIN is changing its fiscal year to coincide with the calendar year beginning 1 January 2002.

News Highlights

ARIN VII Overview
CLEW WG
Elections

Internet Coordination

RIR Coordination

Meetings

Internet Community Calendar
Internet Community Meeting
Reports

Policy

Policy Evaluation Process

Services

Member Services
CLEW WG

Technology

Emerging Technologies

Miscellaneous

Mystery Word Puzzle
Article Submissions

News Highlights

ARIN VII Overview
CLEW WG
Elections

Internet Coordination

RIR Coordination

Meetings

Internet Community Calendar
Internet Community Meeting
Reports

Policy

Policy Evaluation Process

Services

Member Services
CLEW WG

Technology

Emerging Technologies

Miscellaneous

Mystery Word Puzzle
Article Submissions

Global Coordination

The RIRs have been working together on several activities. Two key ones are:

- Coordinating the format of and expanding the content of statistical data.
- Comparing their policies and practices.

For further information see "[The RIRs Combine Efforts](#)" article.

CLEW...

Community Learning And Education Working Group

Clever name. Important issues.

Education is important to all of us. Common knowledge allows people to see the world from the same perspective. Education is especially important in an industry such as ours when organizations must maintain close working relationships by communicating predominantly using email and online software services.

This is what CLEW is designed to facilitate -- to support the relationships and understanding between ISPs, their customers, and ARIN through education and outreach. It is a vehicle for streamlining processes and solving problems, and has promoted the hiring of additional ARIN staff to provide dedicated educational support to the community.

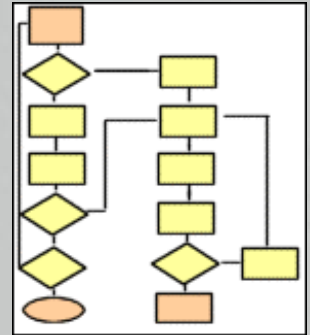
At ARIN VII held in April, CLEW discussions centered on:

- Completing a document designed to help ISPs explain ARIN's process to their downstream customers
- Inviting technical experts to present at ARIN meetings
- Making presentations at other forums
- Developing a comprehensive FAQ and glossary of terms
- Providing suggestions for conducting searches in ARIN's database
- Providing tips to subscribers as best current practices.

In the future, many other factors will influence our understanding as CLEW participation increases. Join the CLEW mailing list, get involved, and get a clew! CLEW is here for you! Visit <http://www.arin.net/members/mailing.htm> to sign on.

Internet Resource Policy Evaluation Process

The Board of Trustees has published a document that describes the process for developing policy relating to Internet resources in the ARIN region. The text is available in English and Spanish at: http://www.arin.net/arin/policy_eval_process.html. There is also a flow chart which can be found at the same URL or by clicking the thumbnail to the right.



Elections

Upcoming Fall Elections. It's time to start thinking about nominees to fill seats opening this fall on the ARIN Board, Advisory Council, and the ASO Address Council. Nominations will be accepted from the general membership, and nominees need not be ARIN members. Self-nominations for all positions are also accepted.

Nominating Committee. Volunteers from the general membership will also be sought to fill three slots on the seven-member Nominating Committee, a group that reviews nominations for the Board and presents a final slate of eligible candidates to the membership for election.

Watch for upcoming election announcements on: arin-announce@arin.net

Timeline For Processing IP Requests

The Registration Services Department has developed a timeline to be used as a reference by subscribing customers when making initial IP requests. This chart is available on the ARIN website at: <http://www.arin.net/images/timeline4ip.gif> or by clicking the thumbnail to the right. Member Services is in the process of developing similar timelines for making subsequent IP requests as well as requests for ASNs.



News Highlights

ARIN VII Overview
CLEW WG
Elections

Internet Coordination

RIR Coordination

Meetings

Internet Community Calendar
Internet Community Meeting
Reports

Policy

Policy Evaluation Process

Services

Member Services
CLEW WG

Technology

Emerging Technologies

Miscellaneous

Mystery Word Puzzle
Article Submissions

Internet Community Calendar

[THE 5TH WORLD MULTICONFERENCE ON SYSTEMICS, CYBERNETICS AND INFORMATICS SCI'2001, July 22-25, 2001, Orlando, Florida, US](#)

[IETF 51, August 5 – August 10, London, UK](#)

[APNIC 12, August 28 – August 31, Taipei, Taiwan](#)

[ICANN, September 9 – September 10, Montevideo, Uruguay](#)

Internet Community Meeting Reports

April 4 - ASO General Assembly, San Francisco, CA. The second ASO General Assembly, hosted by ARIN, was held April 4 in San Francisco, CA, in conjunction with the ARIN VII meeting. The ASO is in the midst of electing a director to the ICANN Board. Nominations have been made and the selection process is well on its way to fill the seat currently occupied by Mr. Ken Fockler whose term will end on October 1, 2001. For an update, visit the ASO site at <http://www.aso.icann.org>.

April 30-May 4 – RIPE 39, Bologna, Italy. ARIN staff attended the meeting which centered on two main topics of discussion: IPv6 and Portable IP (PI) space.

It was discussed whether the IPv6 bootstrap phrase should continue after the initial 100 allocations have been made to allow for more organizations to receive IPv6 address space. The RIRs will announce when 100 IPv6 allocations have been made, and may decide on criteria for extending the bootstrap phase.

Having received numerous requests from Internet Exchange Points (IXPs) for IPv6 addresses, the RIPE NCC discussed the role of an IXP in the IPv6 world but came up with no conclusive definition. Plus, it was noted that the allocation criteria described in the RIRs' *Provisional IPv6 Assignment and Allocation Policy Document* (<http://www.arin.net/regserv/ipv6/IPv6.txt>) do not necessarily apply to IXPs. A discussion about creating a new policy for assigning IPv6 address space to IXPs is currently taking place on the RIPE NCC LIR mailing list.

(continued on next page...)

News Highlights

ARIN VII Overview
CLEW WG
Elections

Internet Coordination

RIR Coordination

Meetings

Internet Community Calendar
Internet Community Meeting
Reports

Policy

Policy Evaluation Process

Services

Member Services
CLEW WG

Technology

Emerging Technologies

Miscellaneous

Mystery Word Puzzle
Article Submissions

News Highlights

ARIN VII Overview
CLEW WG
Elections

Internet Coordination

RIR Coordination

Meetings

Internet Community Calendar
Internet Community Meeting
Reports

Policy

Policy Evaluation Process

Services

Member Services
CLEW WG

Technology

Emerging Technologies

Miscellaneous

Mystery Word Puzzle
Article Submissions

RIPE 39 (continued)

While RIPE NCC is experiencing an increased demand for portable address space, it currently has no clear and consistent policy to address the issue.

ARIN staff provided an update on ARIN activities, and gave a presentation on the transfer of early registrations (those made before ARIN's incorporation) to the appropriate RIR.

May 13 – AfriNIC Meeting, Accra, Ghana. The consultative meeting focused on the current policies and practices of the three current RIRs to determine which policies and implementations would be most suitable for AfriNIC's operations. Bylaws, fee structures, staffing, and initial funding were discussed in detail.

AfriNIC is an emerging non-profit organization seeking recognition by the ICANN as a Regional Internet Registry (RIR) to provide registration services for the continent of Africa. Africa currently receives these services from ARIN and RIPE NCC. Additional information about AfriNIC is available at <http://www.afrinic.org>.

May 20-22 – NANOG 22, Scottsdale, Arizona. ARIN presented a tutorial on its policies and guidelines, which included information about ARIN's history and background, open policy making process, registration policies and activities, and request procedures. For information on NANOG, see <http://www.nanog.org>.

Member Services Update

Training. A full-time Training Program Developer joins the department this month. Work will begin immediately on a modular-based training program covering all facets of the registration services process, from requesting IP addresses (using ARIN's templates) to modifying database information.

Member Reps Database. A database cleanup is underway to verify the email address of each member organization's member representative. The designated member representative (as distinguished from the technical POC) is the only individual eligible to cast your organization's one vote. Contact memsvcs@arin.net to find out the name of your designated member representative.

The RIRs Combine Efforts

Over the past year, the Regional Internet Registries (RIRs) have been working together on numerous projects to provide better communication to the community. One of these efforts is a draft document that compares the policies and practices of the three registries. The first draft has been completed and is posted at http://www.arin.net/governance/rir_comp_matrix.html.

Another initiative is the shared statistics project. The RIRs have collected feedback from many sources about the presentation of statistical data and are now presenting statistical information using a common format. These data have already been used by researchers in analyzing trends in IP number utilization. All three RIR's statistics can be found through links at:

<http://www.arin.net/regserv/IPStats.html>

Emerging Technologies Open Many Possibilities

Slashdot online magazine reported that IBM and Carrier Corp. plan to offer Web-enabled air-conditioners in Europe this summer. Users will be able to turn units on and off, and adjust the temperature, while the unit will be able to send diagnostic messages to phones and email accounts.

BBC News reported that a student at Brunel University, UK, has developed a toaster that is capable of receiving meteorological data from the Internet and browns bread with an image of the predicted weather. An image is burned into the bread by using stencils to represent sunny, cloudy, or rainy conditions. These stencils may be further developed to increase image quality in order to burn weather maps and text messages on your morning toast. The smart toaster contains a modem to contact weather information held on a website created for the toaster.

News Highlights

ARIN VII Overview
CLEW WG
Elections

Internet Coordination

RIR Coordination

Meetings

Internet Community Calendar
Internet Community Meeting
Reports

Policy

Policy Evaluation Process

Services

Member Services
CLEW WG

Technology

Emerging Technologies

Miscellaneous

Mystery Word Puzzle
Article Submissions

ARIN Today

Volume I, Issue 1

memsvcs@arin.net

June 2001

News Highlights

ARIN VII Overview
CLEW WG
Elections

Internet Coordination

RIR Coordination

Meetings

Internet Community Calendar
Internet Community Meeting
Reports

Policy

Policy Evaluation Process

Services

Member Services
CLEW WG

Technology

Emerging Technologies

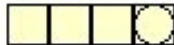
Miscellaneous

Mystery Word Puzzle
Article Submissions

MYSTERY WORD PUZZLE

A word game that uses industry related terms and well-known acronyms

WISP



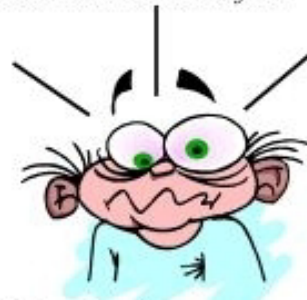
GONNA



LIREFT



ENBUST



*What the ISP representative
forgot to bring on a business trip.*

His "  addresses.

Unscramble the four words on the left, then unscramble the letters in the circled boxes to solve the mystery. See answers in the next issue.

ARIN Today is a newsletter produced quarterly by ARIN staff for ARIN members. Articles and contributions from the community are welcome and are solicited. For questions, comments, and article submissions contact the managing editor at: arintoday@arin.net.

Managing Editor: Barry Skeenes

Contributors: Bill Darte (CLEW), Ginny Listman, Richard Jimmerson, Leslie Nobile, Susan Hamlin, Cathy Clements

Web Design/Layout: Rob Bailey